

MEMORY

CMOS 4M × 32

FAST PAGE MODE DRAM MODULE

MB85391A-60/-70

CMOS 4M × 32 Bit Fast Page Mode DRAM Module

■ DESCRIPTION

The Fujitsu MB85391A is a fully decoded, CMOS Dynamic Random Access Memory (DRAM) module consisting of eight MB8117400A devices. The MB85391A is optimized for those applications requiring high speed, high performance and large memory storage. The operation and electrical characteristics of the MB85391A are the same as the MB8117400A which features fast page mode operation. For ease of memory expansion, the MB85391A is offered in a 72-pad Single In-line Memory Module package (SIMM).

■ ABSOLUTE MAXIMUM RATINGS (see NOTE)

Parameter	Symbol	Value	Unit
Supply Voltage	V _{CC}	-0.5 to +7.0	V
Input Voltage	V _{IN}	-0.5 to +7.0	V
Output Voltage	V _{OUT}	-0.5 to +7.0	V
Short Circuit Output Current	I _{OUT}	50	mA
Power Dissipation	P _D	8	W
Storage Temperature	T _{STG}	-55 to +125	°C

NOTE: Permanent device damage may occur if the above **Absolute Maximum Ratings** are exceeded. Functional operation should be restricted to the conditions as detailed in the operational sections of this data sheet. Exposure to absolute maximum rating conditions for extended periods may affect device reliability.

This device contains circuitry to protect the inputs against damage due to high static voltages or electric fields. However, it is advised that normal precautions be taken to avoid application of any voltage higher than maximum rated voltages to this high impedance circuit.

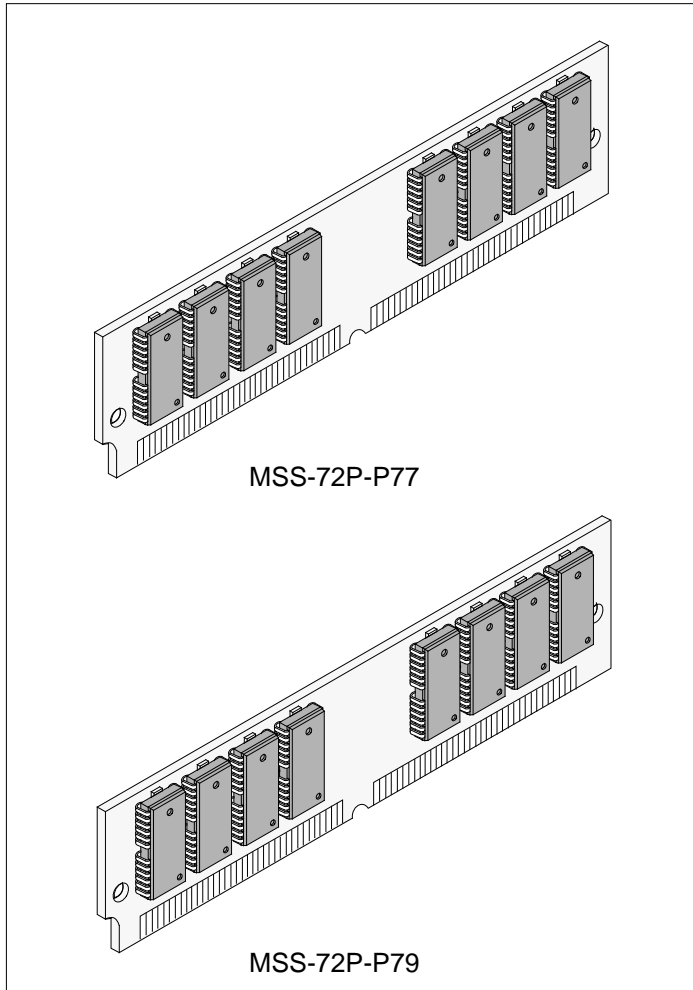
MB85391A-60/MB85391A-70

■ PRODUCT LINE & FEATURES

Parameter		MB85391A-60	MB85391A-70
RAS Access Time		60 ns max.	70 ns max.
Random Cycle Time		110 ns min.	130 ns min.
Address Access Time		30 ns max.	35 ns max.
CAS Access Time		15 ns max.	17 ns max.
Fast Page Mode Cycle Time		40 ns min.	45 ns min.
Power Dissipation	Operating Mode	4620 mW max.	3960 mW max.
	Standby Mode	44mW(CMOS) / 88mW(TTL)	

- Organization:
 - 4,194,304 words x 32 bits
- Memory : MB8117400A, 8 pcs
- Decoupling Capacitor, 8 pcs
- 5.0 V ± 10% Supply Voltage
- Fast Page operation
- 2,048 Refresh Cycles/32.8ms
- Package and Ordering Information:
 - 72-pad SIMM, order as MB85391A-xxPJPB (PJPB = Solder Pad MB85391A-xxPJPBK (PJPBK = Gold Pad

■ PACKAGE



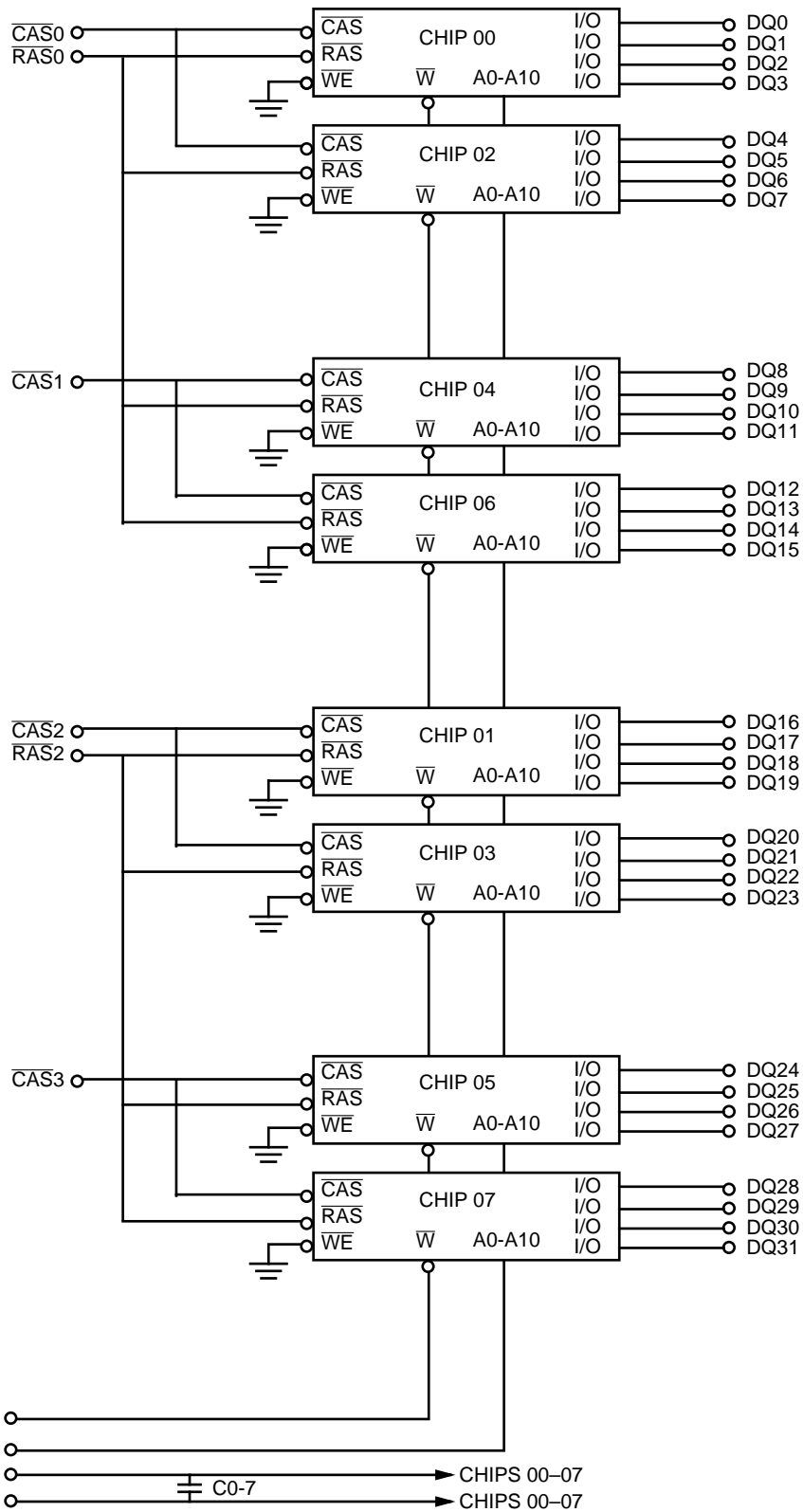
■ PIN ASSIGNMENT

DQ0	2	1	VSS
DQ1	4	3	DQ16
DQ2	6	5	DQ17
DQ3	8	7	DQ18
VCC	10	9	DQ19
A0	12	11	NC
A2	14	13	A1
A4	16	15	A3
A6	18	17	A5
DQ4	20	19	A10
DQ5	22	21	DQ20
DQ6	24	23	DQ21
DQ7	26	25	DQ22
A7	28	27	DQ23
VCC	30	29	NC
A9	32	31	A8
RAS2	34	33	NC
NC	36	35	NC
NC	38	37	NC
CAS0	40	39	VSS
CAS3	42	41	CAS2
RAS0	44	43	CAS1
NC	46	45	NC
NC	48	47	WE
DQ24	50	49	DQ8
DQ25	52	51	DQ9
DQ26	54	53	DQ10
DQ27	56	55	DQ11
DQ28	58	57	DQ12
DQ29	60	59	VCC
DQ30	62	61	DQ13
DQ31	64	63	DQ14
NC	66	65	DQ15
PD2	68	67	PD1
PD4	70	69	PD3
VSS	72	71	NC

Pin #	Symbol	-60	-70
67	PD1	Vss	Vss
68	PD2	NC	NC
69	PD3	NC	Vss
70	PD4	NC	NC

MB85391A-60/MB85391A-70

FUNCTIONAL BLOCK DIAGRAM



MB85391A-60/MB85391A-70

RECOMMENDED OPERATING CONDITIONS

(Referenced to V_{SS})

Parameter	Symbol	Min.	Typ.	Max.	Unit
Supply Voltage	V_{CC}	4.5	5.0	5.5	V
Ground	V_{SS}	0	0	0	V
Input High Voltage, all inputs	V_{IH}	2.4	—	6.5	V
Input Low Voltage, all inputs*	V_{IL}	-0.3	—	0.8	V
Ambient Temperature	T_A	0	25	70	°C

Note: *Undershoots of up to -2.0 volts with a pulse width not exceeding 10 ns are acceptable.

DC CHARACTERISTICS

(Recommended operating conditions unless otherwise noted.)

Parameter	Symbol	Test Condition	Min.	Max.	Unit
Output High Voltage*1	V_{OH}	$I_{OH} = -5 \text{ mA}$	2.4	—	V
Output Low Voltage*1	V_{OL}	$I_{OL} = 4.2 \text{ mA}$	—	0.4	V
Input Leakage Current	RAS0, RAS2	$0 \text{ V} \leq V_{IN} \leq 5.5 \text{ V}$, $4.5 \text{ V} \leq V_{CC} \leq 5.5 \text{ V}$, $V_{SS} = 0 \text{ V}$, all other pins under test = 0 V	-30	30	μA
	$\overline{\text{CAS}}0 - \overline{\text{CAS}}3$		-20	20	
	Address, $\overline{\text{WE}}$		-60	60	
Output Leakage Current	$I_{O(L)}$	$0 \text{ V} \leq V_{OUT} \leq 5.5 \text{ V}$, $4.5 \text{ V} \leq V_{CC} \leq 5.5 \text{ V}$, Data out disabled	-10	10	μA
Operating Current*2 (Average power supply current)	MB85391A-60	$\overline{\text{RAS}}$ & $\overline{\text{CAS}}$ cycling, $t_{RC} = \text{min.}$	—	840	mA
	MB85391A-70		—	720	
Standby Current*2 (Power supply current)	TTL Level	$\overline{\text{RAS}} = \overline{\text{CAS}} = V_{IH}$ $\overline{\text{RAS}} = \overline{\text{CAS}} \geq V_{CC} - 0.2 \text{ V}$	—	16	mA
	CMOS Level		—	8	
Refresh Current #1*2 (Average power supply current)	MB85391A-60	$\overline{\text{CAS}} = V_{IH}$, $\overline{\text{RAS}} = \text{cycling}$, $t_{RC} = \text{min.}$	—	840	mA
	MB85391A-70		—	720	
Fast Page Mode Current*2	MB85391A-60	$\overline{\text{RAS}} = V_{IL}$, $\overline{\text{CAS}} = \text{cycling}$, $t_{PC} = \text{min.}$	—	560	mA
	MB85391A-70		—	520	
Refresh Current #2*2 (Average power supply current)	MB85391A-60	$\overline{\text{RAS}} = \text{cycling}$, $\overline{\text{CAS}}$ -before- $\overline{\text{RAS}}$, $t_{RC} = \text{min.}$	—	840	mA
	MB85391A-70		—	720	

Notes: *1. Referenced to V_{SS} .

*2. I_{CC} depends on the output load conditions and cycle rate. The specific values are obtained with the output open.

I_{CC} depends on the number of address change as $\overline{\text{RAS}} = V_{IL}$ and $\overline{\text{CAS}} = V_{IH}$, $V_{IL} > -0.3 \text{ V}$.

I_{CC1} , I_{CC3} , and I_{CC5} are specified at one time of address change during $\overline{\text{RAS}} = V_{IL}$ and $\overline{\text{CAS}} = V_{IH}$.

I_{CC4} is specified at one time of address change during one Page cycle.

MB85391A-60/MB85391A-70

■ AC CHARACTERISTICS

(Recommended operating conditions unless otherwise noted.) Notes 1, 2, 3

No.	Parameter	Symbol	MB85391A-60		MB85391A-70		Unit	Notes
			Min.	Max.	Min.	Max.		
1	Time Between Refresh	t_{REF}	—	32.8	—	32.8	ms	
2	Random Read/Write Cycle Time	t_{RC}	110	—	130	—	ns	
3	Access Time from \overline{RAS}	t_{RAC}	—	60	—	70	ns	4, 7
4	Access Time from \overline{CAS}	t_{CAC}	—	15	—	17	ns	5, 7
5	Column Address Access Time	t_{AA}	—	30	—	35	ns	6, 7
6	Output Hold Time	t_{OH}	3	—	3	—	ns	
7	Output Buffer Turn On Delay Time	t_{ON}	0	—	0	—	ns	
8	Output Buffer Turn Off Delay Time	t_{OFF}	—	15	—	17	ns	8
9	Transition Time	t_T	3	50	3	50	ns	
10	\overline{RAS} Precharge Time	t_{RP}	40	—	50	—	ns	
11	\overline{RAS} Pulse Width	t_{RAS}	60	100000	70	100000	ns	
12	\overline{RAS} Hold Time	t_{RSH}	15	—	17	—	ns	
13	\overline{CAS} to \overline{RAS} Precharge Time	t_{CRP}	0	—	0	—	ns	
14	\overline{RAS} to \overline{CAS} Delay Time	t_{RCD}	20	45	20	53	ns	9, 10
15	\overline{CAS} Pulse Width	t_{CAS}	15	10000	17	10000	ns	
16	\overline{CAS} Hold Time	t_{CSH}	60	—	70	—	ns	
17	\overline{CAS} Precharge Time (C-B-R Refresh)	t_{CPN}	10	—	10	—	ns	17
18	Row Address Setup Time	t_{ASR}	0	—	0	—	ns	
19	Row Address Hold Time	t_{RAH}	10	—	10	—	ns	
20	Column Address Setup Time	t_{ASC}	0	—	0	—	ns	
21	Column Address Hold Time	t_{CAH}	15	—	15	—	ns	
22	Column Address Hold Time from \overline{RAS}	t_{AR}	35	—	35	—	ns	
23	\overline{RAS} to Column Address Delay Time	t_{RAD}	15	30	15	35	ns	11
24	Column Address to \overline{RAS} Lead Time	t_{RAL}	30	—	35	—	ns	
25	Column Address to \overline{CAS} Lead Time	t_{CAL}	30	—	35	—	ns	
26	Read Command Setup Time	t_{RCS}	0	—	0	—	ns	
27	Read Command Hold Time Referenced to \overline{RAS}	t_{RRH}	0	—	0	—	ns	12
28	Read Command Hold Time Referenced to \overline{CAS}	t_{RCH}	0	—	0	—	ns	12
29	Write Command Setup Time	t_{WCS}	0	—	0	—	ns	13
30	Write Command Hold Time	t_{WCH}	15	—	15	—	ns	

(Continued)

MB85391A-60/MB85391A-70

■ AC CHARACTERISTICS (Continued)

(Recommended operating conditions unless otherwise noted.) Notes 1, 2, 3

No.	Parameter	Symbol	MB85391A-60		MB85391A-70		Unit	Notes
			Min.	Max.	Min.	Max.		
31	Write Command Hold Time from $\overline{\text{RAS}}$	t_{WCR}	35	—	35	—	ns	
32	$\overline{\text{WE}}$ Pulse Width	t_{WP}	15	—	15	—	ns	
33	Write Command to $\overline{\text{RAS}}$ Lead Time	t_{RWL}	15	—	17	—	ns	
34	Write Command to $\overline{\text{CAS}}$ Lead Time	t_{CWL}	15	—	17	—	ns	
35	DIN Setup Time	t_{DS}	0	—	0	—	ns	
36	DIN Hold Time	t_{DH}	15	—	15	—	ns	
37	Data Hold Time from $\overline{\text{RAS}}$	t_{DHR}	35	—	35	—	ns	
38	$\overline{\text{RAS}}$ Precharge Time to $\overline{\text{CAS}}$ Active Time (Refresh Cycles)	t_{RPC}	5	—	5	—	ns	
39	$\overline{\text{CAS}}$ Setup Time (C-B-R Refresh)	t_{CSR}	0	—	0	—	ns	
40	$\overline{\text{CAS}}$ Hold Time (C-B-R Refresh)	t_{CHR}	10	—	12	—	ns	
41	$\overline{\text{WE}}$ Setup Time from $\overline{\text{RAS}}$	t_{WSR}	0	—	0	—	ns	18
42	$\overline{\text{WE}}$ Hold Time from $\overline{\text{RAS}}$	t_{WHR}	10	—	10	—	ns	18
43	DIN to $\overline{\text{CAS}}$ Delay Time	t_{DZC}	0	—	0	—	ns	15
44	Fast Page Mode $\overline{\text{CAS}}$ Pulse Width	t_{RASP}	—	100000	—	100000	ns	
45	Fast Page Mode Read/Write Cycle Time	t_{PC}	40	—	45	—	ns	
46	Access Time from $\overline{\text{CAS}}$ Precharge	t_{CPA}	—	35	—	40	ns	7, 16
47	Fast Page Mode $\overline{\text{CAS}}$ Precharge Time	t_{CP}	10	—	10	—	ns	
48	Fast Page Mode $\overline{\text{RAS}}$ Hold Time from $\overline{\text{CAS}}$ Precharge	t_{RHCP}	35	—	40	—	ns	

MB85391A-60/MB85391A-70

- Notes: 1. An initial pause ($\overline{\text{RAS}} = \overline{\text{CAS}} = V_{\text{IH}}$) of 200 μs is required after power-up followed by any eight $\overline{\text{RAS}}$ -only cycles before proper device operation is achieved. If an internal refresh counter is used, a minimum of eight $\overline{\text{CAS}}$ -before- $\overline{\text{RAS}}$ initialization cycles are required instead of eight $\overline{\text{RAS}}$ cycles.
2. AC characteristics assume $t_{\text{T}} = 5 \text{ ns}$.
 3. V_{IH} (min.) and V_{IL} (max.) are reference levels for measuring the timing of input signals. Transition times are measured between V_{IH} (min.) and V_{IL} (max.).
 4. Assumes that $t_{\text{RCD}} \leq t_{\text{RCD}} (\text{max.})$, $t_{\text{RAD}} \leq t_{\text{RAD}} (\text{max.})$. If t_{RCD} is greater than the maximum recommended value shown in this table, t_{RAC} will be increased by the amount that t_{RCD} exceeds the value shown.
 5. If $t_{\text{RCD}} \geq t_{\text{RCD}} (\text{max.})$, $t_{\text{RAD}} \geq t_{\text{RAD}} (\text{max.})$, and $t_{\text{ASC}} \geq t_{\text{AA}} - t_{\text{CAC}} - t_{\text{T}}$, access time is t_{CAC} .
 6. If $t_{\text{RAD}} \geq t_{\text{RAD}} (\text{max.})$ and $t_{\text{ASC}} \leq t_{\text{AA}} - t_{\text{CAC}} - t_{\text{T}}$, access time is t_{AA} .
 7. Measured with a load equivalent to two TTL loads and 100 pF.
 8. t_{OFF} is specified that output buffer change to high impedance state.
 9. Operation within the $t_{\text{RCD}} (\text{max.})$ limit ensures that $t_{\text{RAC}} (\text{max.})$ can be met. $t_{\text{RCD}} (\text{max.})$ is specified as a reference point only; if t_{RCD} is greater than the specified $t_{\text{RCD}} (\text{max.})$ limit, access time is controlled exclusively by t_{CAC} or t_{AA} .
 10. $t_{\text{RCD}} (\text{min.}) = t_{\text{RAH}} (\text{min.}) + 2 t_{\text{T}} + t_{\text{ASC}} (\text{min.})$.
 11. Operation within the $t_{\text{RAD}} (\text{max.})$ limit ensures that $t_{\text{RAC}} (\text{max.})$ can be met. $t_{\text{RAD}} (\text{max.})$ is specified as a reference point only; if t_{RAD} is greater than the specified $t_{\text{RAD}} (\text{max.})$ limit, access time is controlled exclusively by t_{CAC} or t_{AA} .
 12. Either t_{RRH} or t_{RCH} must be satisfied for a read cycle.
 13. t_{WCS} is specified as a reference point only. If $t_{\text{WCS}} \geq t_{\text{WCS}} (\text{min.})$ the data output pin will remain High-Z state through entire cycle.
 14. Assumes that $t_{\text{WCS}} < t_{\text{WCS}} (\text{min.})$.
 15. Either t_{DZC} or t_{DZO} must be satisfied.
 16. t_{CPA} is access time from the selection of a new column address (caused by changing $\overline{\text{CAS}}$ from "L" to "H"). Therefore, if t_{CP} become long, t_{CPA} also become longer than $t_{\text{CPA}} (\text{max.})$.
 17. Assumes that $\overline{\text{CAS}}$ -before- $\overline{\text{RAS}}$ refresh.
 18. Assumes that test mode function.

*Source: See MB8117400A Data Sheet for details on the electricals.

MB85391A-60/MB85391A-70

■ CAPACITANCE

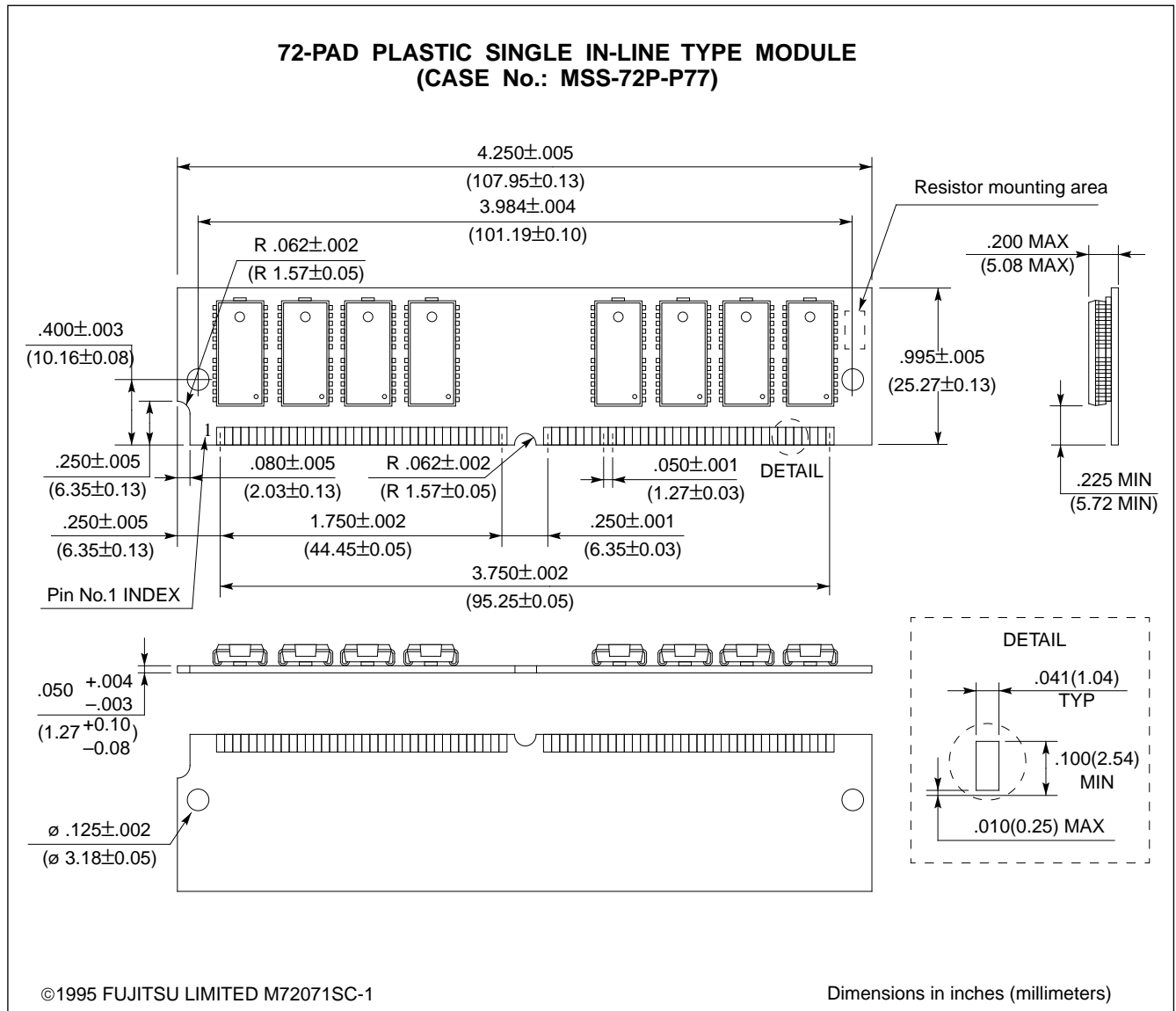
($T_A = 25^\circ\text{C}$, $f = 1\text{ MHz}$)

Parameter	Symbol	Min.	Max.	Unit
Input Capacitance, A0 to A10	C_{IN1}	—	71	pF
Input Capacitance, $\overline{RAS0}$ and $\overline{RAS2}$	C_{IN2}	—	39	pF
Input Capacitance, $\overline{CAS0}$ to $\overline{CAS3}$	C_{IN3}	—	23	pF
Input Capacitance, \overline{WE}	C_{IN4}	—	66	pF
I/O Capacitance, (DQ0-DQ31)	C_{DQ}	—	12	pF

MB85391A-60/MB85391A-70

■ PACKAGE DIMENSIONS

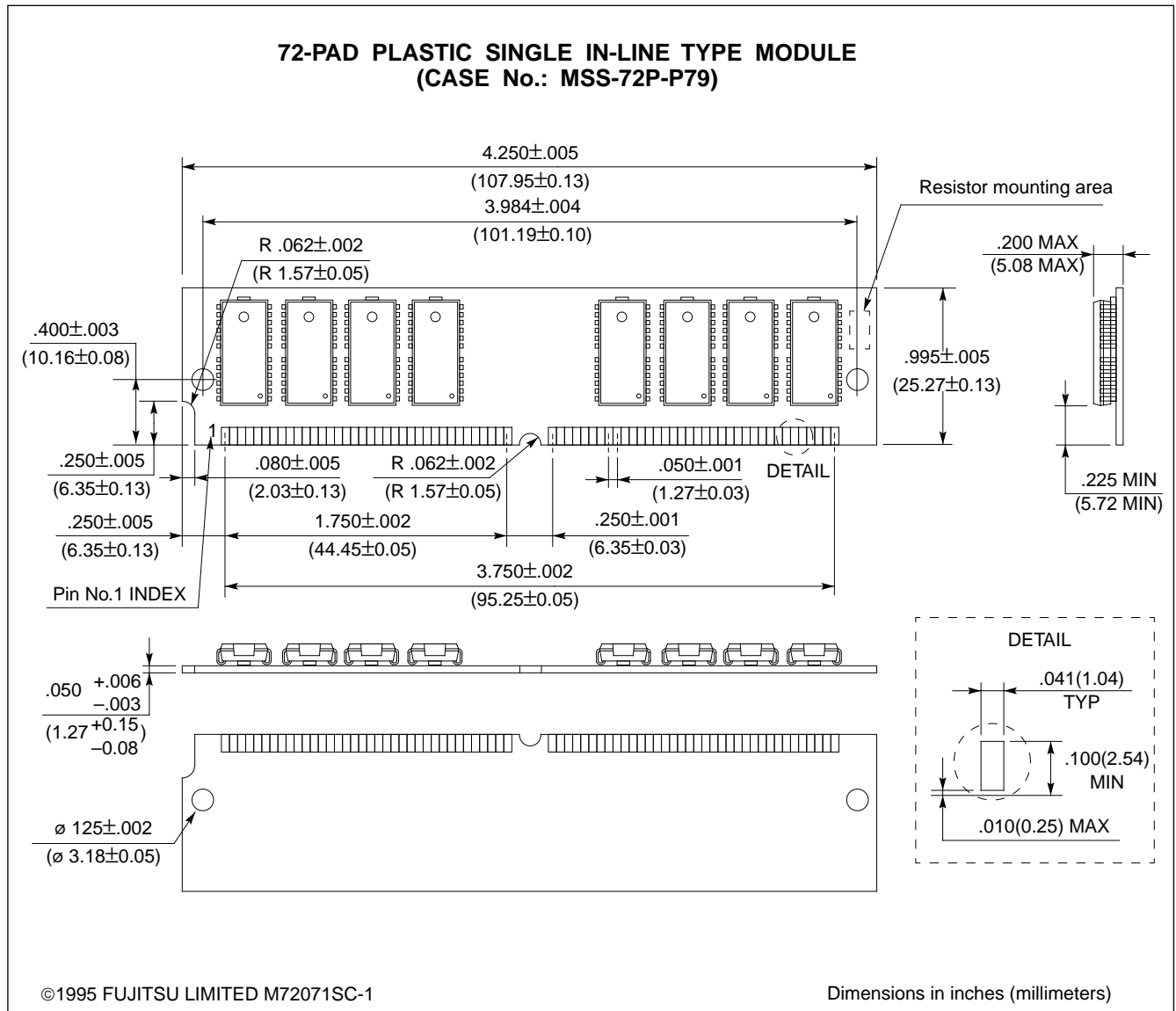
(Suffix: PJPBK)



MB85391A-60/MB85391A-70

■ PACKAGE DIMENSIONS

(Suffix: PJPB)



FUJITSU LIMITED

For further information please contact:

Japan

FUJITSU LIMITED
Corporate Global Business Support Division
Electronic Devices
KAWASAKI PLANT, 4-1-1, Kamikodanaka
Nakahara-ku, Kawasaki-shi
Kanagawa 211-88, Japan
Tel: (044) 754-3753
Fax: (044) 754-3329

North and South America

FUJITSU MICROELECTRONICS, INC.
Semiconductor Division
3545 North First Street
San Jose, CA 95134-1804, U.S.A.
Tel: (408) 922-9000
Fax: (408) 432-9044/9045

Europe

FUJITSU MIKROELEKTRONIK GmbH
Am Siebenstein 6-10
63303 Dreieich-Buchsschlag
Germany
Tel: (06103) 690-0
Fax: (06103) 690-122

Asia Pacific

FUJITSU MICROELECTRONICS ASIA PTE. LIMITED
#05-08, 151 Lorong Chuan
New Tech Park
Singapore 556741
Tel: (65) 281 0770
Fax: (65) 281 0220

All Rights Reserved.

The contents of this document are subject to change without notice. Customers are advised to consult with FUJITSU sales representatives before ordering.

The information and circuit diagrams in this document presented as examples of semiconductor device applications, and are not intended to be incorporated in devices for actual use. Also, FUJITSU is unable to assume responsibility for infringement of any patent rights or other rights of third parties arising from the use of this information or circuit diagrams.

FUJITSU semiconductor devices are intended for use in standard applications (computers, office automation and other office equipment, industrial, communications, and measurement equipment, personal or household devices, etc.).

CAUTION:

Customers considering the use of our products in special applications where failure or abnormal operation may directly affect human lives or cause physical injury or property damage, or where extremely high levels of reliability are demanded (such as aerospace systems, atomic energy controls, sea floor repeaters, vehicle operating controls, medical devices for life support, etc.) are requested to consult with FUJITSU sales representatives before such use. The company will not be responsible for damages arising from such use without prior approval.

Any semiconductor devices have inherently a certain rate of failure. You must protect against injury, damage or loss from such failures by incorporating safety design measures into your facility and equipment such as redundancy, fire protection, and prevention of over-current levels and other abnormal operating conditions.

If any products described in this document represent goods or technologies subject to certain restrictions on export under the Foreign Exchange and Foreign Trade Control Law of Japan, the prior authorization by Japanese government should be required for export of those products from Japan.